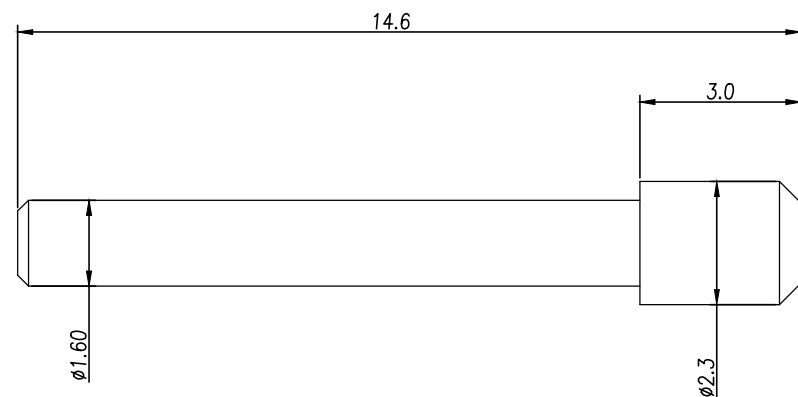
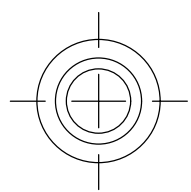
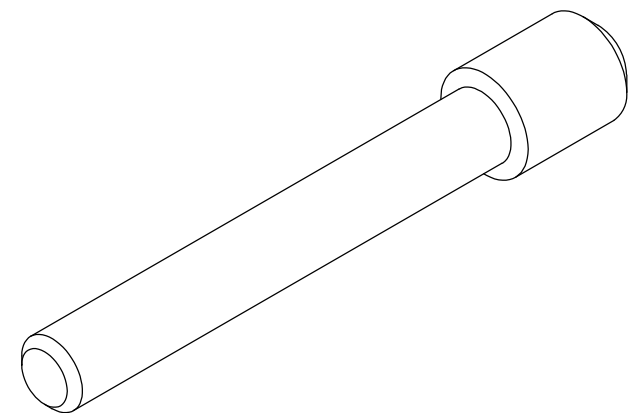


THIS DRAWING IS SUPPLIED FOR INFORMATION ONLY. DESIGN FEATURES, SPECIFICATIONS AND PERFORMANCE DATA SHOWN HEREON ARE THE PROPERTY OF THE AMPHENOL CORPORATION. NO RIGHTS OF REPRODUCTION ARE IMPLIED. ALL DIMENSIONS ARE SUBJECT TO NORMAL MANUFACTURING VARIATIONS.

REVISIONS						
REV	ZONE	ECO	DESCRIPTION	DATE	BY	APPR
A	--	--	INITIAL RELEASE	10/12/18	FL	JL

Customer Drawing



Notes:
 1. Material: Thermoplastic, White
 2. Flame Class: UL94V-0
 3. Temp: -40 C to 125 C
 4. RDHS compliance

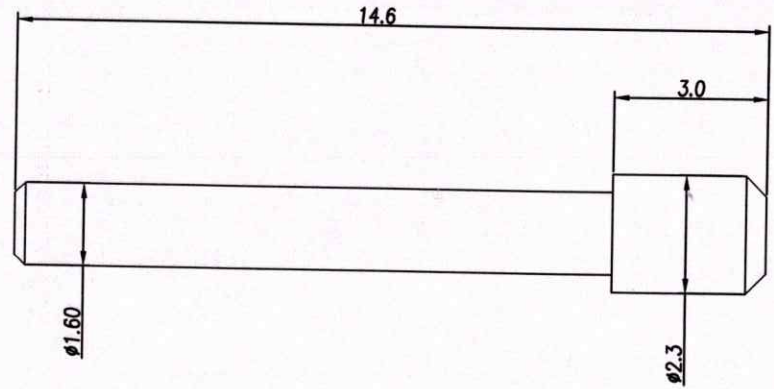
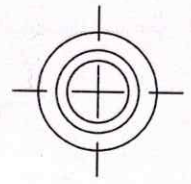
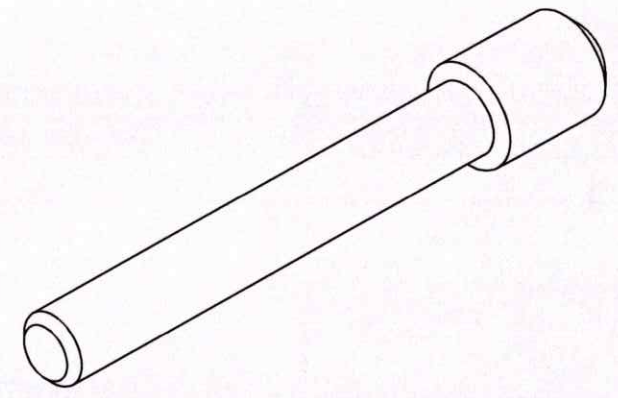
		Amphenol Technical Products International GZ				PART NAME: Seal Plug 20AWG		
		第三角投影 THIRD ANGLE PROJECTION 	页面 SHEET 1 of 1	幅面 SIZE A3	版次 REV. A	比例 SCALE	DWG NO: AC-CP000382	
签名 SIGNATURE 制图 DRAWN: FL 审核 CHECKED: YM 批准 APPROVAL: JL		日期 DATE 10/12/18		UNLESS OTHERWISE SPECIFIED 1) All dimensions are in metric(mm). 2) Tolerances are as follows: 0 PL DEC ±1.00 1 PL DEC ±0.50 2 PL DEC ±0.20 Angles ±1°		CUST PART #: N/A		CUST REV. -

THIS DRAWING IS SUPPLIED FOR INFORMATION ONLY. DESIGN FEATURES, SPECIFICATIONS AND PERFORMANCE DATA SHOWN HEREON ARE THE PROPERTY OF THE AMPHENOL CORPORATION. NO RIGHTS OF REPRODUCTION ARE IMPLIED. ALL DIMENSIONS ARE SUBJECT TO NORMAL MANUFACTURING VARIATIONS.

REVISIONS						
REV	ZONE	ECO	DESCRIPTION	DATE	BY	APPR
A	---	---	INITIAL RELEASE	10/12/18	FL	JL

Customer Drawing

Amphenol TPI
2019-01-04
REGISTERED COPY



Notes:
1. Material: Thermoplastic, White
2. Flame Class: UL94V-0
3. Temp: -40 C to 125 C.
4. RDHS compliance

		Amphenol Technical Products International GZ				
		第三角投影 THIRD ANGLE PROJECTION	张数 SHEET	幅面 SIZE	版次 REV.	比例 SCALE
签名 SIGNATURE		日期 DATE	UNLESS OTHERWISE SPECIFIED			客户零件号 CUSTOMER PART #
制图 DRAWN	FL	10/12/18	1) All dimensions are in metric(mm). 2) Tolerances are as follows: 0 PL DEC ±1.00 1 PL DEC ±0.50 2 PL DEC ±0.30			客户零件号 CUSTOMER PART #
审核 CHECKED	FL	10/12/18	Angle ±1°			客户零件号 CUSTOMER PART #
批准 APPROVAL	FL	10/12/18				客户零件号 CUSTOMER PART #

Seal Plug 20AWG
AC-CP000382
N/A